



6.3 cu. ft. Gas Slide-in Range

- ProBake Convection®
- EasyClean® + Self Clean
- 18.5k BTU Power Burner
- Glass Touch Controls
- Slide-in Design
- 6.3 cu. ft. Large Capacity
- Warming Drawer
- LG ThinQ® Technology (Wi-Fi)



COLOR AVAILABILITY

 LSSG3017ST – Stainless Steel

CAPACITY

Oven Capacity	6.3 cu. ft.
Drawer Capacity	0.8 cu. ft.

OVEN FEATURES

Convection System	ProBake Convection®
Oven Cooking Modes	Bake, Broil, Speed Broil, Convection Bake, Convection Roast, Speed Roast, Warm, Proof
Air Sous Vide	No
Built-in Air Fry	No
Temperature Probe	Yes
Oven Racks	2 Heavy Duty, 1 Gliding
Number of Rack Positions	7
Broil Element (BTU, NG / LP)	15,000 / 12,500
Convection (BTU, NG / LP)	19,000 / 17,000
Convection Conversion	Yes
EasyClean®	Yes
Self Clean	Yes
GoCook Smart Oven Light	Yes (1)
Door Lock	Yes
Automatic Safety Shut-Off	After 12 Hours

DRAWER FEATURES

Type	Warming
Levels	3 (Hi / Med / Low)
Time Control	Yes

COOKTOP FEATURES

Cooktop Type	Sealed
Number of Burners	5
Burner BTU (NG / LP)	
Left Front	12,000 / 10,000
Left Rear	9,100 / 9,100
Center	10,000 / 10,000 (Oval)
Right Front	18,500 / 12,500
Right Rear	5,000 / 5,000
Cooktop Burner Grate Material	Cast Iron
Continuous Grates	Yes

CONTROLS

Cooktop Control Type	Front Tilt-Control Knobs (Weighted)
Oven Control Type	Glass Touch
Display	VFD (White / Red)
Language	English
Kitchen Timer	Yes
Timed Cook	Yes
Clock	12 Hr or 24 Hr (Option)
Temperature Unit of Measure	°F or °C
Cooking Complete Reminder Volume	High, Low, Off
Oven Control Lock	Yes

CONVENIENCE

ADA Compliant	Yes
Sabbath Mode	Yes (Star-K-Certified)

SMART FEATURES

Wi-Fi Enabled	Yes
ThinQ®	Yes
Proactive Customer Care	Yes
Voice Control	Amazon Alexa, Google Assistant
SmartDiagnosis™	Yes
Smart Recipe (3rd Party Recipe App)	Yes (Tovala, Innit, SideChef and Drop)

FINISHES AND APPEARANCE

Fingerprint & Smudge Resistant Exterior	No
Cooktop Finish	Stainless Steel
Handle / Knobs	Stainless Steel Appearance
Oven Door Feature	WideView™ Window

TECHNICAL SPECS

Fuel Type	NG / LP
Required Power Supply	120V, 60Hz
Minimum Circuit Rating	15 Amp
Power Cord Type	3-Prong, Attached to Unit
Power Outlet Location	See Installation Diagram
Gas Supply Location	See Installation Diagram

INCLUDED ACCESSORIES

2 Heavy Duty Racks, 1 Gliding Rack, Griddle, Wok Grate, Rear Filler Kit, Temperature Probe, EasyClean® Kit (Spray Bottle & Scouring Pad), LP Conversion Kit

OPTIONAL ACCESSORIES

Slide-in Range Filler Kit (Side Gaps) LSFL301S

DIMENSIONS / CLEARANCES / WEIGHTS

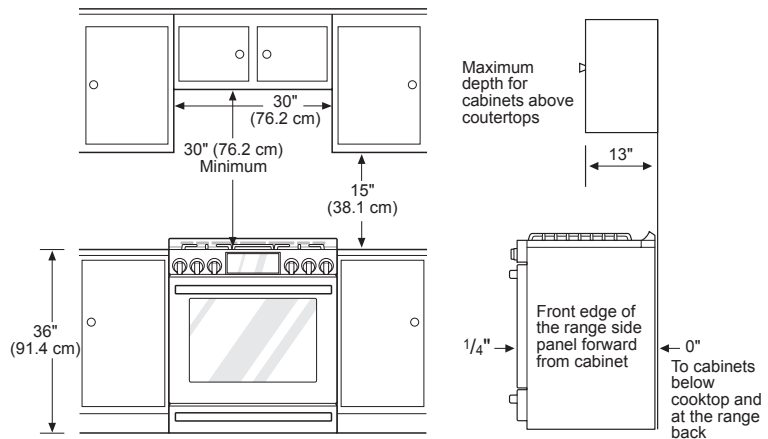
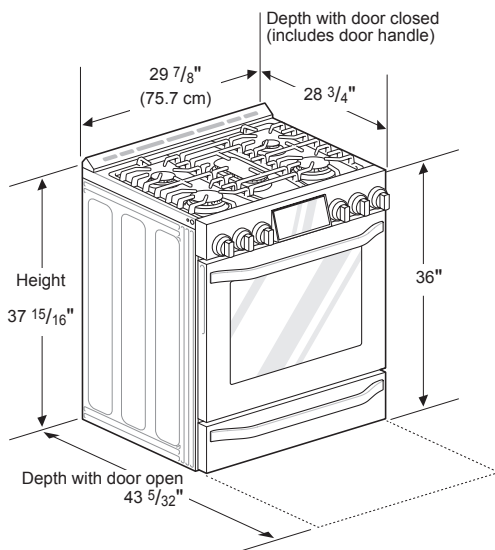
Product Dimensions (W x H x D w/Handle)	29 7/8" x 37 15/16" x 28 3/4"
Product Height to Cooking Surface	36"
Cutout Dimensions (W x H x D)	30" x 36" x 25"
Carton Dimensions (W x H x D)	32 1/2" x 45 1/2" x 30 1/2"
Approx. Weight (Product / Carton)	185.6 lbs. / 238.1 lbs.

LIMITED WARRANTY

Parts and Labor 2 Years

DIMENSIONS / CLEARANCES

Provide proper clearance between the range and adjacent combustible surfaces. These dimensions must be met for safe use of your range. The location of the electrical outlet and pipe opening may be adjusted to meet specific requirements. The range may be placed with 0" clearance (flush) at the back wall.



GAS PIPE AND ELECTRICAL OUTLET LOCATIONS

